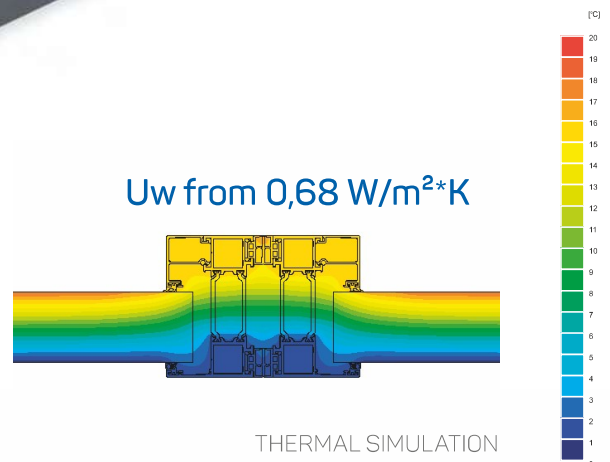


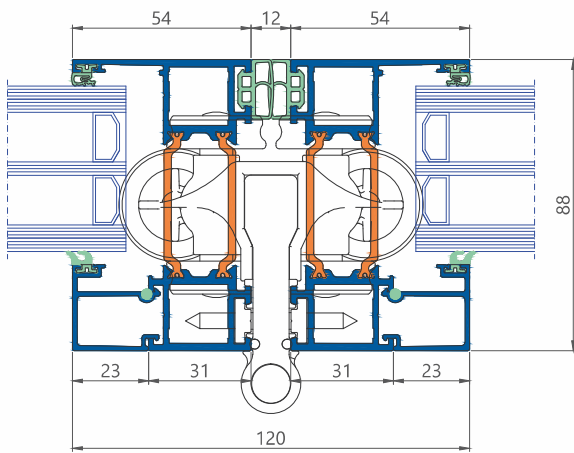
DECALU88 FOLDING DOORS

Outdoor living at its best

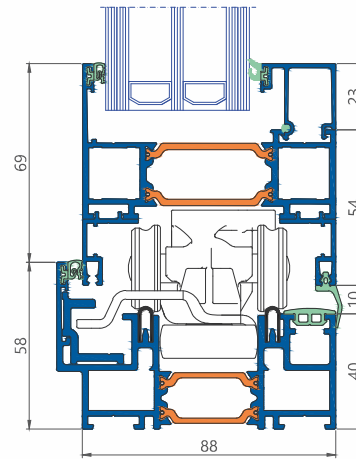


Folding door systems provide the highest level of comfort in contact with the outside. In sunny days they allow you to enjoy unlimited contact with the terrace, garden, conservatory or swimming pool, whilst raining it ensures a durable and secure barrier is in place. In the Decalu88 folding door system, the maximum sash weight can be 150 kg, which allows for the creation of even larger openings. In the closed position, one sash can also be used as a door.





horizontal section



vertical section

Technical performance		Decalu88 Folding Doors	
TEST	GLAZING		VALUE (SASH + FRAME)
PN-EN ISO 10077-1	Double glazing	U _g = 1.1 W/m ² K U _g = 1.0 W/m ² K	U _w = 1.22 W/m ² K * U _w = 1.14 W/m ² K *
	Triple glazing	U _g = 0.6 W/m ² K U _g = 0.4 W/m ² K	U _w = 0.83 W/m ² K * U _w = 0.68 W/m ² K *
Air permeability	PN-EN 12207		class 4
Watertightness	PN-EN 12208		450 Pa
Wind resistance	PN-EN 12210		class C2
Operating forces	PN-EN 13115		class 2
Incorrect use	PN-EN 13115		n/a

Technical characteristics		Decalu88 Folding Doors
Frame installation depth		97mm
Sash installation depth		88mm
Hardware		delivered with the system
Rebate height:		25mm
Glazing bead height		23mm
Possible glass thickness:		12-62mm
Internal visible height of the frame		40mm,58mm
External visible height of the frame		40mm,58mm
External visible height of the cross beam		n/a
Exterior		flat
Interior		flat
Central gasket		n/a
Glazing rubbers		TPE
Alloy		EN AW 6060 T66
Thermal break		PET 44mm, PA 34mm, 44mm

(*) U-Value calculated on the basis of a folding door measuring 4000 x 3000mm (WxH)